



Shown : 7S

VIBRATORY TUBS SERIE 2S to 72S

With 1" thick sound dampening insulation and internally mounted shaker motor, these shakers are the quietest on the market.

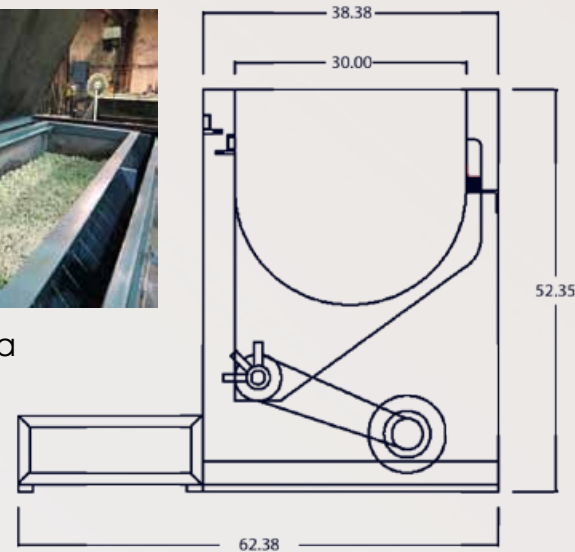
Markets

- General manufacturing
- Industrial Equipment
- Metal forming
- Aerospace and aviation
- Rail and Transit
- Marine
- Automotive
- Power & Energy

Standard features

- Most economical method of batch cleaning small parts.
- Tumbling parts in ceramic or aluminum media is gentle enough to protect delicate parts, while tough enough to debur and polish.
- Soft rubber pads keep the shaker from walking reducing noise and eliminating the need to bolt the machine to the floor
- The vibratory tub is lined with urethane body liner and manganese end liners
- Totally enclosed shaker tub frame and steel lid
- Solvent reservoir
- 0-30 minute cycle timer
- 3 stage solution separation system
- Acoustically insulated cabinet and internally mounted shaker motor, make these shakers among the quietest on the market
- Rated within OSHA noise level limits

All machines are equipped with guards and safety devices to comply with State and Trade Regulations for the protection of operators. All electrical wiring is designed to conform with the protection of operators. ISTblast & wash Systems, or any of its divisions will not assume responsibility in cases of failure by the operator to exercise reasonable care when using the equipment.



Floor layout

Inside of Model 7S Shaker shown with optional ceramic media

It is in the customization of our basic designs to your parts specific needs that truly sets ISTblast apart from the competition. With an accomplished and proven design staff, ISTblast can build equipment from the ground up or simply modify existing models to tailor fit your cleaning application.

ISTblast OFFERS A FULL LINE OF VIBRATORY TUBS , LIKE :



Model 2 S

Model 4 S

Model 54

Model 72

SPECIFICATIONS	2 S	4 S	7 S	15 S	20 S	36 S	54 S	72 S
Capacity (Cubic Feet)	2	4.5	7.5	15	20	34	50	55
Tub Dimensions								
Length	18"	30"	48"	48"	60"	48"	72"	95"
Width	18"	17"	16 5/8"	22 1/2"	24"	36"	36"	36"
Depth	15"	18 3/4"	18 1/4"	22"	24"	36"	36"	32"
Floor space required	30"L x 30" W	72"L x 36" W	90"L x 36" W	90"L x 36" W	81"L x 36" W	85"L x 73" W	104"L x 73" W	133"L x 73" W
Vibratory motor	1/2 hp	2 hp	5 hp	5 hp	5 hp	10 hp	15 hp	20 hp
Cabinet construction	7 Ga.							
Media required	100 lbs.	250 lbs.	500 lbs.	800 lbs.	1 250 lbs.	2 000 lbs.	3 000 lbs.	4 000 lbs.



International Surface Technologies

4160 Industriel Blvd.
Laval, Quebec
H7L 6H1 Canada

Toll free 1 877 629-8202
T 450 963-2200
F 450 963-5122
Info@istblast.com
www.istblast.com