

BUCKET ELEVATOR Recycling System

This Recycling System is the Solution to effectively achieving maximum abrasive efficiency.

Not only is the blasting more effective, with less dust in the abrasive, there will be less airborne dust and less wear and tear on the blast pot and associated components.

The operator simply shovels the used abrasives into the loading hopper provided and the bucket elevator lifts the abrasives up to the top of the airwash system, where it is then gravity fed through the airwash zone.

Airflow provided by the single cartridge dust collector is drawn through the garnet as it passes through the air wash and this process separates the dust from the good, re-usable abrasive. A removable coarse debris screen is provided to trap larger waste before it can enter the blast pot.

The dust and fines are drawn off by the dust collection system, where they are deposited into a refuse dust bin provided.

Markets served

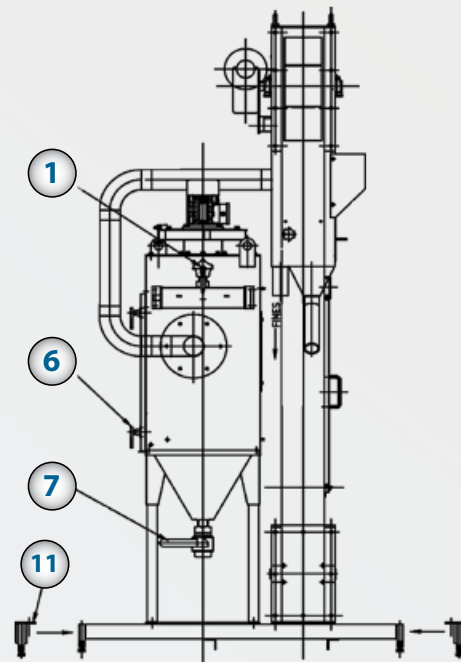
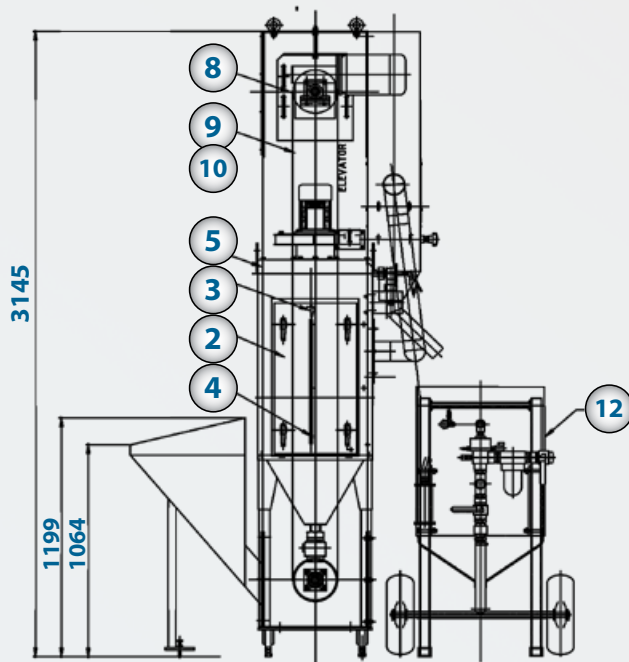
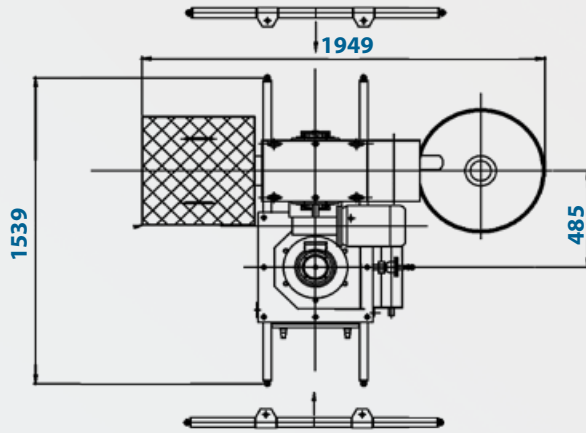
- General manufacturing
- Automotive
- Aerospace and aviation
- Petroleum
- Marine

Features

- Fully adjustable abrasive airwash system to clean the used abrasive.
- Efficient, simple bucket elevator system to deliver the abrasive to the airwash.
- Includes a single cartridge dry dust collection system with reverse pulse cartridge purging.
- Only requires 240 Volt single phase electrical power.
- Cleans garnet at the rate of 3,000kg (6,600lbs) per hour.
- Ideally suited for use with 170 Litre (6ft³) blast pots (blast pot not included).
- Can be used with other recyclable abrasive types.
- Can be easily moved around the work site for operation directly adjacent to the blasting area.
- For rough uneven surfaces optional stabilizer bars are available for fitment to the elevator baseplate frame.



The ISTblast Abrasive Recycling System is an abrasives cleaning system, designed for use with a single pressure blast pot. Recycling of abrasives is vital for all abrasive blasting applications to ensure efficiency in abrasive usage.

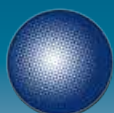


Options

Nber	Description
11	Stabilizer Bar Kit
12	Portable Pressure Blaster 346 or 646

Parts list

Nber	Description	Qty
1	Dust Collector Pulse Valve	1
2	Dust Collector Filter Cartridge Size 2	1
3	Filter Cartridge Hanger Rod	1
4	Hanger Rod Washer	1
5	Dust Collector Door Seal	1
6	Dust Collector Door Handle	4
7	Dust Collector Drain Valve	1
8	Elevator Drive Assembly	1
9	Elevator Belt	1
10	Elevator Bucket	37



International
Surface
Technologies

4160 Industriel Blvd.
Laval, Quebec
H7L 6H1 Canada

Toll free 1 800 361-1185
T 450 963-4400
F 450 963-5122
Info@istblast.com
www.istblast.com