



## SUCTION SANDBLASTING CABINETS

### Serie ECAB 3 to 7

The semi-industrial line of blast finishing cabinets is a mid-level line designed to deliver the same dependability and performance as the industrial units, but more affordable.

Whatever the application, all that is necessary is an air compressor producing a minimum of 22 CFM, and several pounds of sandblasting media (glass beads or aluminum oxide).

Use the semi-industrial cabinets for medium duty cleaning, etching, deburring, finishing, trimming, etc..

### Markets

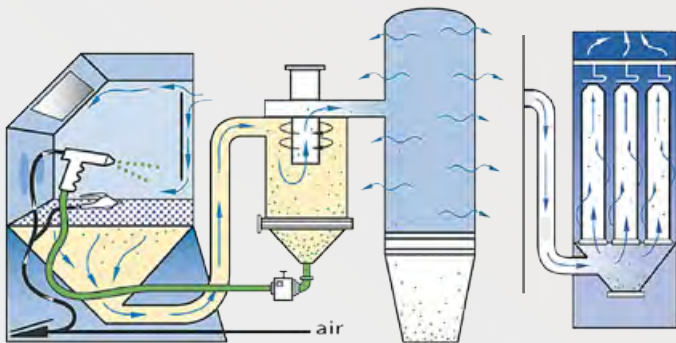
- General manufacturing
- Aerospace and aviation
- Marine
- Automotive
- Petroleum
- Power & energy
- Pharmaceutical

### Features

- Tunable cyclonic reclaimer can be adjusted to control media size.
- Externally adjustable tuning band requires no tools and controls the size of fines extracted from the blast media.
- Screen prevents oversized particles from clogging .
- Rigid, dual-panel doors stand up to abrasives and seal more tightly than single-panel doors.
- Flush construction minimizes media spill when the door is opened.
- Self-adjusting door latches for continued tight sealing as door gasket ages.
- Safety-door switch (optional) prevents accidental blasting when doors are open. Complies with OSHA (USA) requirements.
- Simple, pneumatic controls deliver greater reliability.
- Wide foot treadle enables operation with either foot.
- Dust collector features an energy-saving air-filtration system that captures 99% of all particles five (5) microns or larger.
- Can be operated with standard DB13, or optional DC50, DC100 dust collectors.

No other blast cabinet on the market today offers the many practical benefits included on a ISTblast cabinet as standard equipment. Just look at the features. The standard components in a ISTblast system have been carefully designed for safety, ease of operation, reduced maintenance and increased productivity.

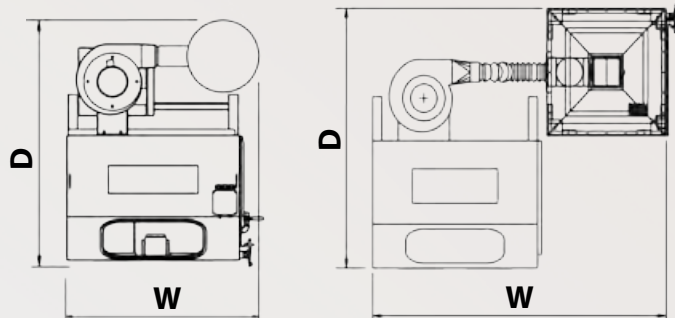
### How it works



With standard Dust Bag (DB13)

With optional Dust Collector (DC50 or DC100)

### Floor plan



(With Dust Bag )

(With Dust Collector)

### Dust collectors

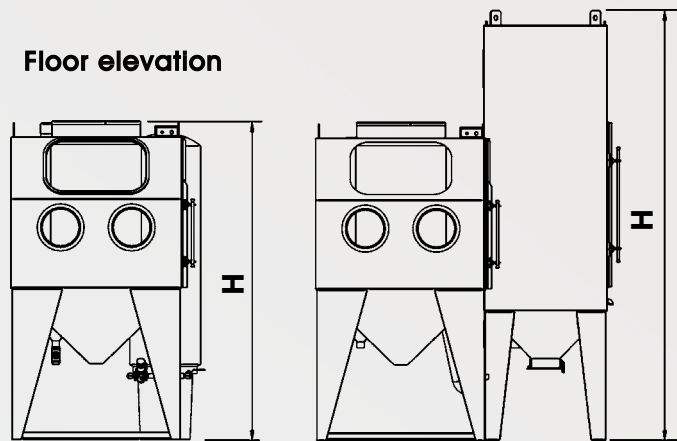


DB Serie (Standard Dust Bag)



DC Serie (Optional Dust Collector)

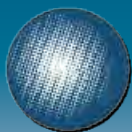
### Floor elevation



(With Dust Bag )

(With Dust Collector)

DESCRIPTION	ECAB 3			ECAB 5			ECAB 7		
Dust Collector	DB13	DC50	DC100	DB13	DC50	DC100	DB13	DC50	DC100
Part number	626104	626116	626122	626127	626129	626131	626139	626141	626143
Filter Area (square feet)	13	50	100	13	50	100	13	50	100
Collector dim's (□ or ○ H)	○15" x 66"	□20" x 78"	□28" x 91"	○15" x 66"	□20" x 78"	□28" x 91"	○15" x 66"	□20" x 78"	□28" x 91"
Weight (lbs)	405	525	540	445	565	580	467	587	602
Overall Dim's (DxWxH)	42" x 40" x 67"	50" x 57¼" x 76"	56" x 70" x 91"	50½" x 46" x 67"	52" x 66" x 76"	64" x 60" x 91"	60" x 50" x 67"	70" x 56" x 76"	72½" x 63" x 91"
Interior dim's (DxWxH)	26" x 36" x 31"			28" x 44" x 31"			36" x 48" x 31"		
Door opening(WxH)	20" x 29"			22" x 29"			30" x 29"		



International  
Surface  
Technologies

4160 Industriel Blvd.  
Laval, Quebec  
H7L 6H1 Canada

Toll free 1 800 361-1185  
Tel. 450 963-4400  
Fax 450 963-5122  
Info@istblast.com  
www.istblast.com