



SUCTION SANDBLASTING ECONOBLAST® SERIE 26 to 36

The light industrial line of blasting cabinets is designed to deliver the dependability and performance of industrial units.

Whatever the application, all that is necessary is an air compressor producing a minimum of 22 CFM, and several pounds of sandblasting media (glass beads or aluminum oxide).

Use the light industrial cabinets for light duty cleaning, etching, deburring, finishing, trimming, etc.

Markets

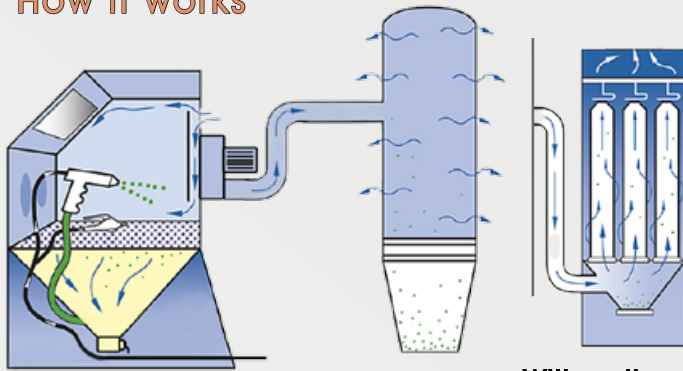
- General manufacturing
- Aerospace and aviation
- Marine
- Automotive
- Petroleum
- Power & energy
- Pharmaceutical

Features

- Operates with all light weight reclaimable abrasives.
- Easily adjustable abrasive regulator.
- Sturdy mild steel 14 ga construction.
- Rigid, dual-panel door stands up to abrasives and seals more tightly than a single-panel door.
- Flush construction minimizes media spillage when the door is opened.
- Self-adjusting door latch assures continued tight sealing as door gasket ages.
- Simple pneumatic controls deliver greater reliability than electric controls.
- Dust collector features an energy-saving air-filtration system that captures 99% of all particles five (5) microns or larger.
- Can be operated with standard DB13 or optional DC50 dust collectors.

No other blast cabinet on the market today offers the many practical benefits included on a Canblast cabinet as standard equipment. Just look at the features. The standard components in a ISTblast system have been carefully designed for safety, ease of operation, reduced maintenance and increased productivity.

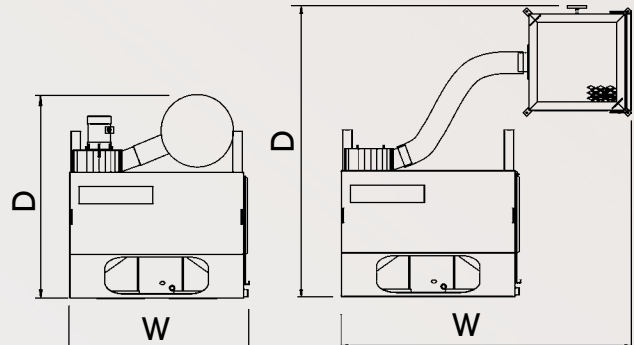
How it works



With standard Dust Bag (DB13)

With optional Dust Collector (DC50 or DC100)

Floor plan



(With Dust Bag)

(With Dust Collector)

Dust collectors

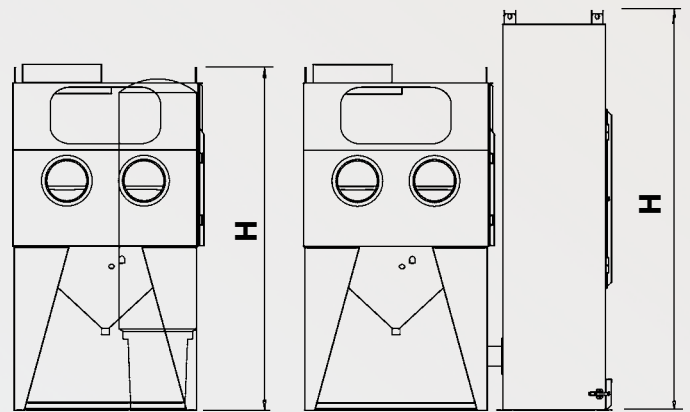


DB Serie (Standard Dust Bag)



DC Serie (Optionnal Dust Collector)

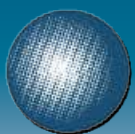
Floor elevation



(With Dust Bag)

(With Dust Collector)

SPECIFICATIONS	ECONO 26		ECONO 28		ECONO 36	
Dust Collector	DB13	DC50	DB13	DC50	DB13	DC50
Part number	628104	628116	628157	628166	628257	628262
Fan CFM motor	400	400	400	400	400	400
Filter Area (square feet)	13	50	13	50	13	50
Collector dim's (□ or O H)	○ 15" x 66"	□ 20" x 78"	○ 15" x 66"	□ 20" x 78"	○ 15" x 66"	□ 20" x 78"
Weight (lbs)	375	495	415	535	467	587
Overall dim's (DxWxH)	42" x 36" x 67"	60" x 60" x 78"	44" x 44" x 67"	60" x 52" x 78"	52" x 36" x 67"	68" x 52" x 78"
Interior dim's (DxWxH)	26" x 36" x 30"		28" x 44" x 30"		36" x 48" x 31"	
Door opening (WxH)	20" x 29"		22" x 29"		22" x 29"	



International
Surface
Technologies

4160 Industriel Blvd.
Laval, Quebec
H7L 6H1 Canada

Toll free 1 800 361-1185
Tel. 450 963-4400
Fax 450 963-5122
Info@istblast.com
www.istblast.com