



DUST COLLECTORS

MODELS DCM600 to 1800

The models DCM600 to 1800 dust collectors are designed for heavy-duty use and are the most efficient for preventing dust spreads into the work environment and contaminate machines and work surfaces. The fan aspire air in from the recycler from 600 to 1800 cfm, depending on the power of the turbine and motor.

Dust and fine particles pass through the recycler and are filtered, and only clean air is rejected. The cartridges are cleaned by a pulse of compressed air blowing inside of them. The pulse reverse momentarily the flow of air passing through the cartridges in order to remove dust on the outer surface. The dust falls to the bottom to the barrel.

The pulses interval are controlled by a timer. The timer function is to control the duration of each pulse.

Features

- Dust collector features an energy-saving air-filtration system captures 99% of all particles one (1) microns or larger.
- Cartridges type dust collectors standard, offering improved efficiency and durability
- Efficient head motor exhausting system
- Automatic pulse-shake system controlled by timer

Markets

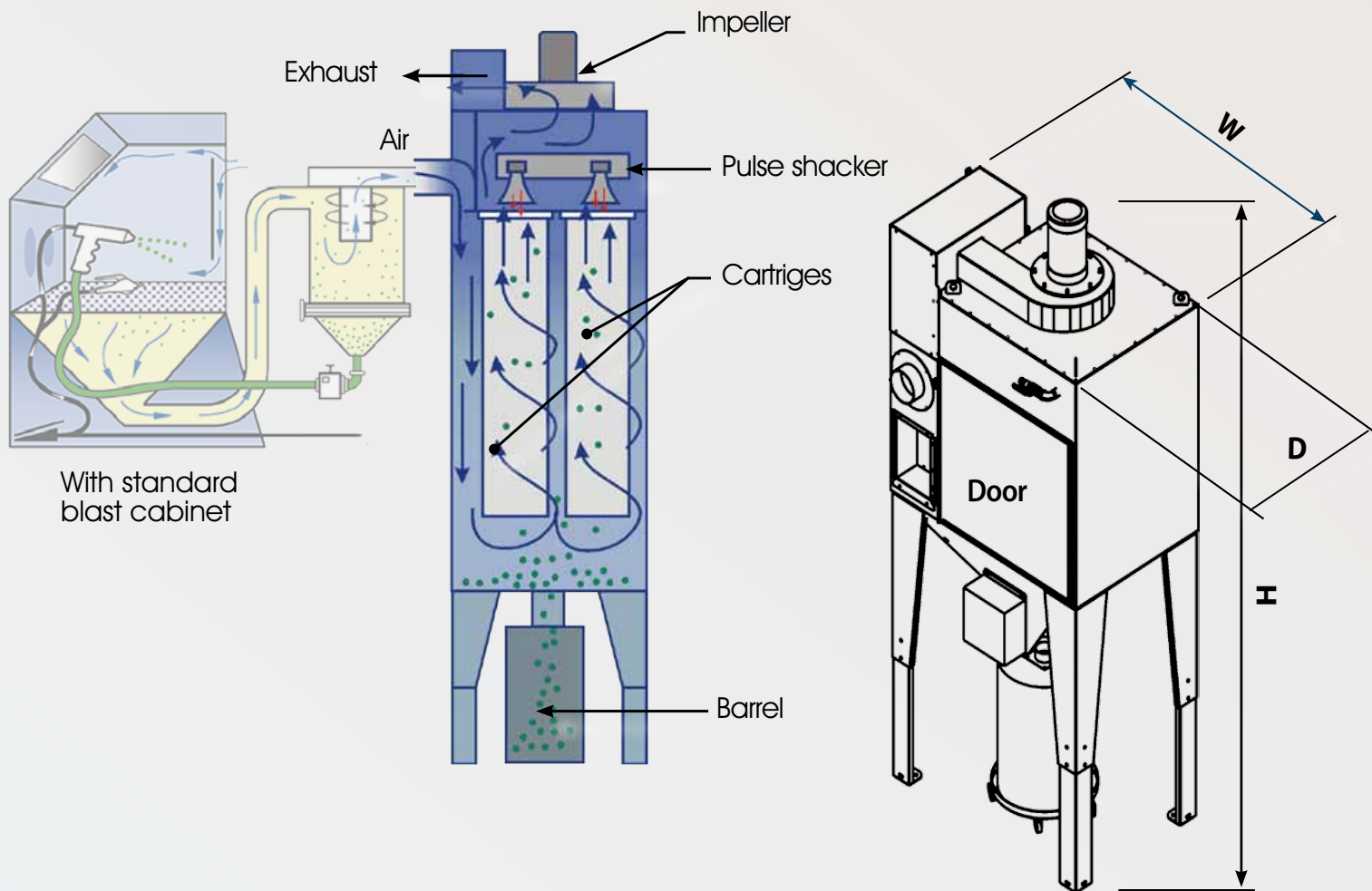
- General manufacturing
- Aerospace and aviation
- Marine
- Automotive
- Petroleum
- Power & energy
- Pharmaceutical

- Ease of access to the filter cartridges
- Replacement cartridges readily available anywhere on the market
- Can be operated with either pressure or suction sandblasting cabinets.
- CSA approved and made in Canada.

No other dust collector on the market today offers the many practical benefits included on a ISTblast dust collector as standard equipment. Just look at the features. The standard components in a ISTblast system have been carefully designed for safety, ease of operation, reduced maintenance and increased productivity.

How it works

Floor plan



SPECIFICATIONS	DCM600	DCM900	DCM1200	DCM1800
Model number	625125	925016	625130	925010
Filter Area (square feet)	562	562	1124	1124
Fan CFM motor capacity	600	900	1200	1800
Weight (lbs)	900	915	1100	1150
Overall dim's (DxW)	42" x 41"	42" x 41"	55" x 37"	37" x 59"
Overall height (H)	122"	122"	137"	140"
Door opening (WxH)	23" x 37"	23" x 37"	42" x 40"	40" x 38"



International
Surface
Technologies

4160 Industriel Blvd.
Laval, Quebec
H7L 6H1 Canada

Toll free 1 800 361-1185
T 450 963-4400
F 450 963-5122
Info@istblast.com
www.istblast.com